

Parts Manual for

SNAPPER®

TWO STAGE LARGE FRAME SNOW THROWER PRO SERIES 8

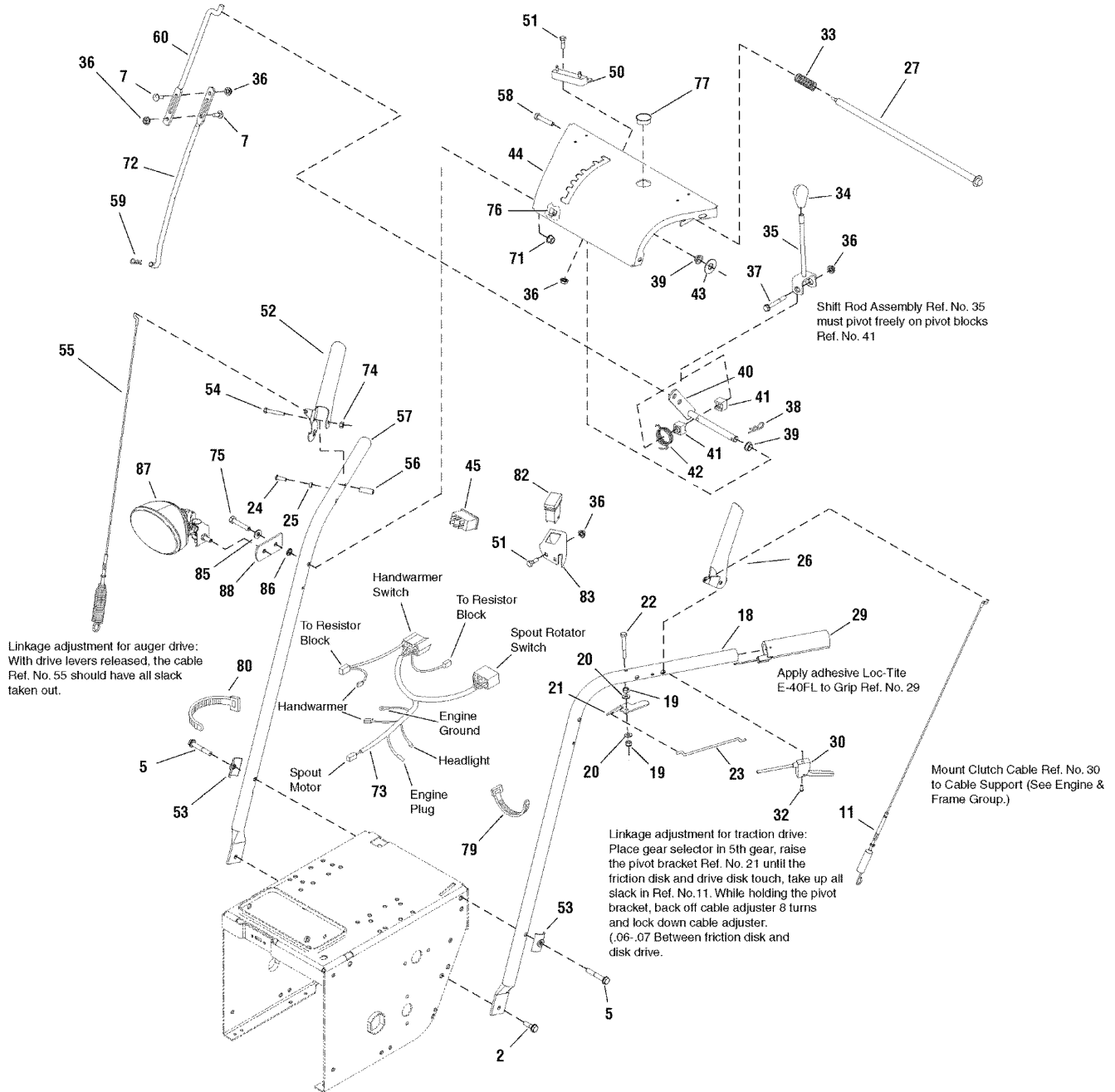
MODEL
13388E
E13388E



SNAPPER® McDonough, GA, 30253 U.S.A.

PAGE	GROUP
4	Handle & Controls Group
8	Auger Drive Group
10	Gear Box Assembly
12	Auger Housing & Chute Group
16	Engine & Frame Group
20	Traction Drive Group
24	Wheels & Tires Group
26	Decal Group

Handle & Controls Group

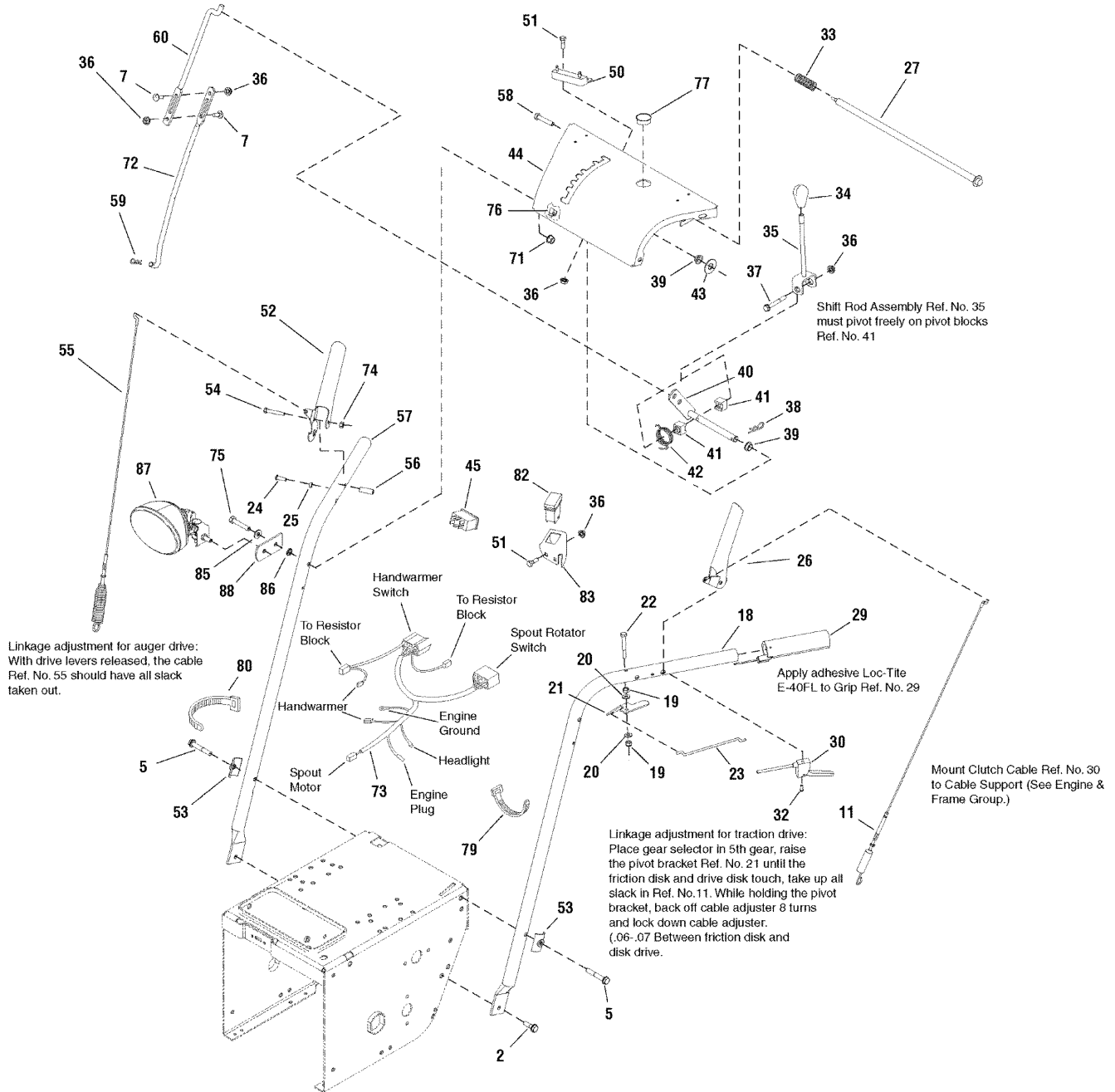


Handle & Controls Group

Item	Part No	Qty	Description	Note
2	1960729	1	SCREW, Hex Head Serrated Flange Taptite, 5/16-18 x 1	
5	1960730	2	SCREW, Hex Head Serrated Flange Taptite, 5/16-18 x 2	
7	1931317	2	CARRIAGE BOLT, 1/4-20 x 3/4, G5	
11	1726832	1	CABLE & SPRING ASSEMBLY	
18	1731333A	1	HANDLE, Tube L.H. 2006 Snow	
19	1920397	2	NUT, Hex Lock ESNA Light, 1/4-20 NC3B	
20	1921319	2	WASHER, 1/4, .27 ID x .62 OD x .05 THK	
21	1722631A	1	LEVER, Pivot	
22	1960662	1	CAPSCREW, Hex Head, 1/4-20 x 2, G5	
23	1722630	1	ROD, Hold Down	
24	1960556	2	SCREW, Pan Head Torx Taptite, 1/4-20 x 3/4	
25	1715654	1	SPACER	
26	1722667	1	GRIP, Clutch L.H., Plastisol Dip	
27	1722633	1	ROD with PIN ASSEMBLY	
29	1723965	2	HAND GRIP, Heated	
30	1718791	1	CABLE & HANDLE ASSEMBLY	
32	1725702	1	SCREW, Pan Head Torx, #10 x 1/2 THK	
33	1722690	1	SPRING, Compression	
34	1726734	1	KNOB, Tapered, 3/8 Internal Thread	
35	1668523	1	ROD & CLEVIS ASSEMBLY	
36	1960685	6	NUT, Hex Keps, 1/4-20 Conical Washer	
37	1960705	1	SCREW, Hex Whiz Lock Flange, 1/4-20 x 2-1/4	
38	1960074	1	CLIP, Hair Pin, .093 DIA, 1-5/8 LG	
39	1668185	2	BUSHING, 1/2 ID x 3/4 OD x 1/4 LG Nylon	
40	1720240	1	PIVOT ASSEMBLY	
41	1668524	2	BLOCK, Pivot	
42	1715123	1	SPRING, Compression	
43	1924361	1	WASHER, 1/2, .53 ID x 1-1/4 x .08 THK	
44	1726983A	1	DASH ASSEMBLY	
45	1723967	1	SWITCH, Hand Warmer	
50	1724037	1	RESISTOR	
51	1923341	3	CAPSCREW, Hex Head, 1/4-20 x 3/4, G5	
52	1722638	1	GRIP, Clutch R.H., Plastisol Dip	
53	1720452	2	CLAMP, Saddle, Snow Handle E-Coat	
54	1922837	2	CAPSCREW, Hex Head, 1/4-20 x 1-1/2, G5	
55	1726833	1	CABLE & SPRING ASSEMBLY	
56	1715655	2	SPACER, .259 ID x .377 OD x 1.1 LG	

Footnotes

Handle & Controls Group

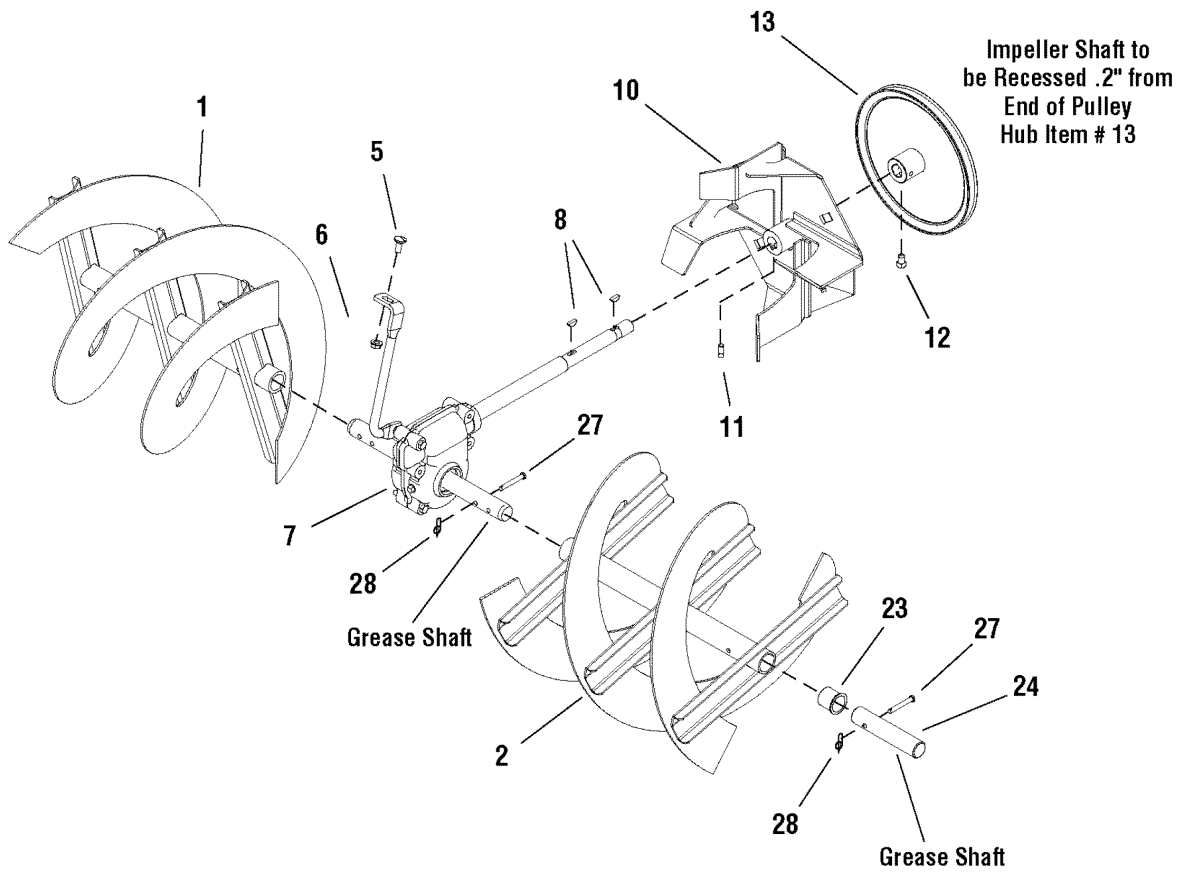


Handle & Controls Group

Item	Part No	Qty	Description	Note
57	1731334A	1	HANDLE, Tube R.H. 2006 Snow	
58	1921221	3	CAPSCREW, Hex Head, 5/16-18 x 1-1/2, G5	
59	1722460	1	PIN, Quick	
60	1726304	1	ROD, 3/8 DIA 11.38 LG	
71	1960686	4	NUT, Hex Flange, 5/16-18 ESNA	
72	1666255	1	ROD, Shift Lower	
73	1728968	1	HARNESS, Hand Warmers/Spout Snow 2006	
74	1923358	2	NUT, Hex Centerlock, 1/4-20	
75	1922127	1	CAPSCREW, Hex Head, 5/16-18 x 1-3/4, G5	
76	1715956	1	CLIP, Wire	
77	1724489	1	PLUG, Button for .437 DIA Hole, Plastic	
79	1701011	2	TIE, Self-Locking, .184 WD 7.31 LG	
80	1701011	1	TIE, Self-Locking, .184 WD 15 LG	
82	1728969	1	SWITCH, Rocker Chute Rotator, Snow 5 Pin	
83	1729792A	1	SUPPORT, Switch, 14GA WB Snow	
85	1919326	1	WASHER, 5/16, .34 ID x 3/4 OD x .06 THK	
86	2820426	1	LOCKWASHER, External Tooth, 5/16	
87	1732322	1	HEADLIGHT ASSEMBLY, Oval Clear 2007 Snow	
88	1733259A	1	BRACKET, Headlight, 10GA Pro Snow	

Footnotes

Auger Drive Group

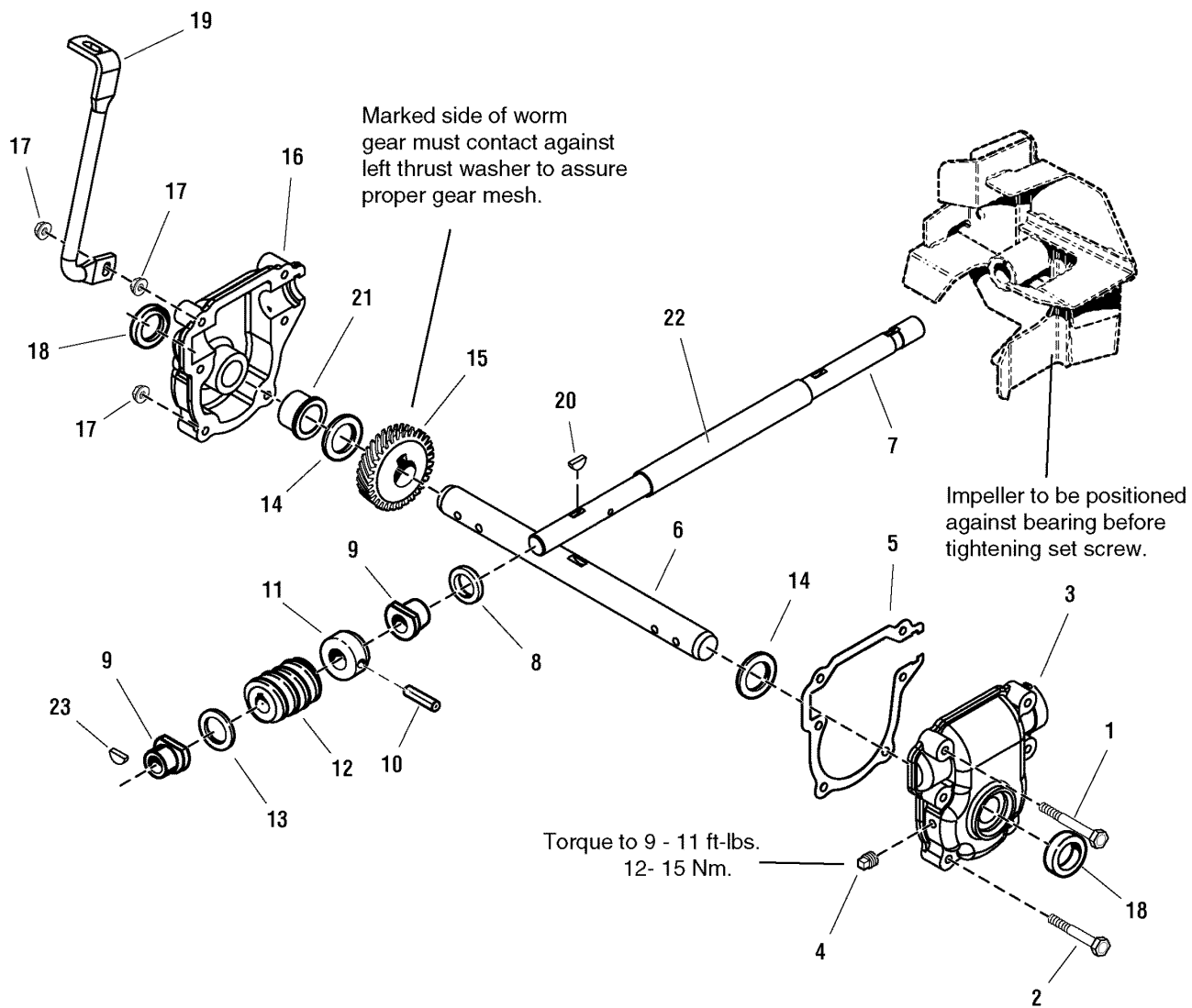


Auger Drive Group

Item	Part No	Qty	Description	Note
1	1731321A	1	AUGER ASSEMBLY, 38" Housing, R.H.	
2	1731322A	1	AUGER ASSEMBLY, 38" Housing, L.H.	
5	1931333	1	CARRIAGE BOLT, 5/16-18 x 3/4, G5	
6	1931277	1	NUT, Hex Whiz Lock Flange, 5/16-18	
7	1732303	1	GEAR BOX ASSEMBLY	(See Gear Box Assembly Group)
8	2818312	2	KEY, Woodruff, 3/16 x 5/8 #61 SAE 1035	
10	1612187A	1	IMPELLER ASSEMBLY, Large Frame Snow	
11	1960474	1	SCREW, Set Square Head Cup, 3/8-16 x 1/2, G8	
12	1928721	2	SCREW, Set Square Head Cup, 5/16-18 x 1/2, G8	
13	1732468	1	PULLEY, 9 OD x 0.752 ID x .72 WD w/Hub	
23	1709894	2	BUSHING, 1.009ID x 1-1/8 OD x 1.13 Long Zytel	
24	1733104A	2	SHAFT, 0.98 Diameter 4.85 Long	
27	1668344	4	PIN, Shear, .248 ID x 1-3/4 Long	
28	1918447	4	COTTER PIN, Self-Locking, 1/4	

Footnotes

Gear Box Assembly

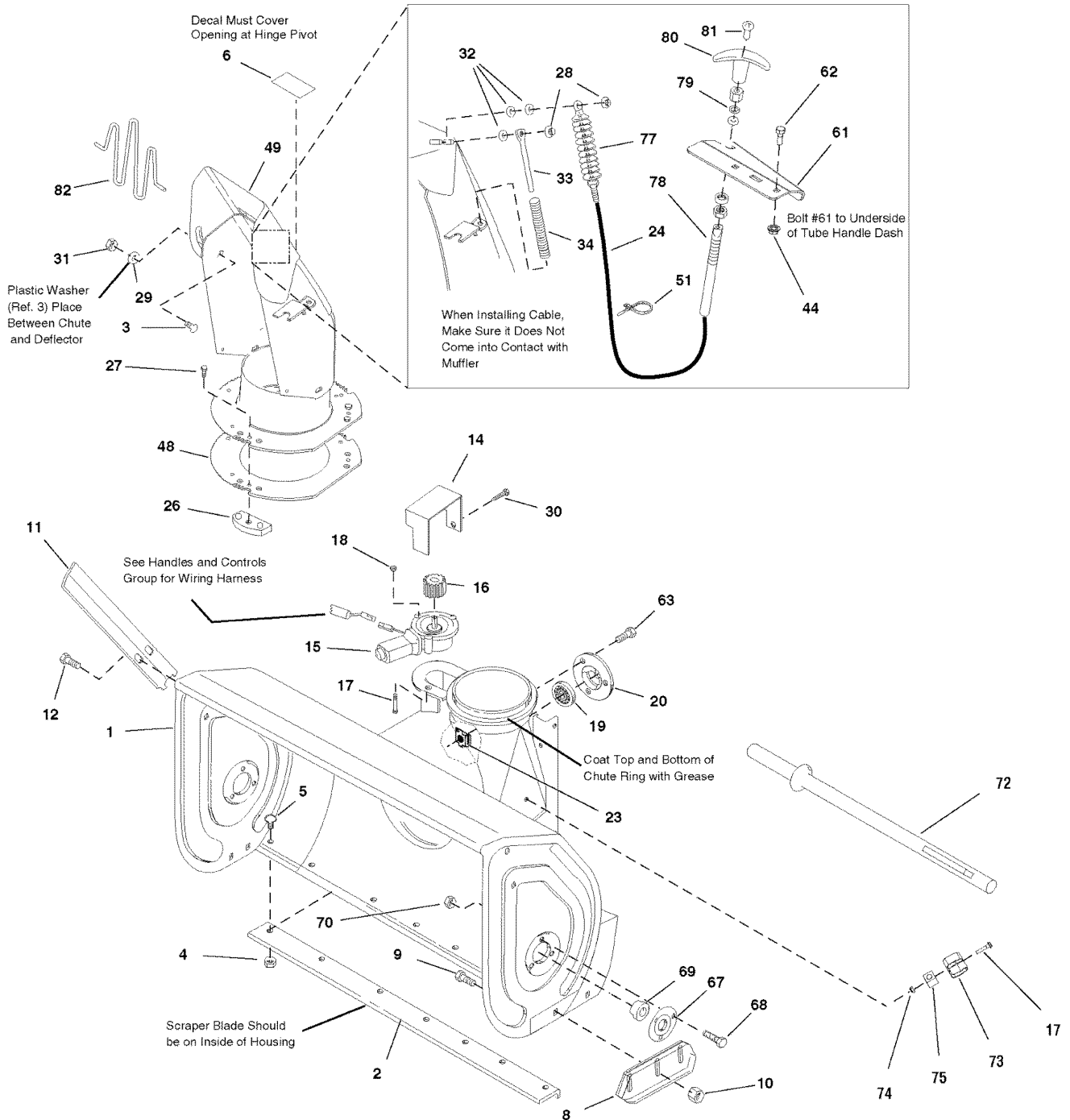


Gear Box Assembly

Item	Part No	Qty	Description	Note
1	1923282	1	CAPSCREW, 1/4-20 x 2-1/2	
2	1960346	5	CAPSCREW, 1/4-20 x 2-1/4	
3	1612136	1	GEAR CASE, L.H.	
4	1668971	1	TAPERED PIPE PLUG	
5	1612124	1	GASKET	
6	1732440	1	SHAFT, Auger Cutoff	
7	1732182	1	SHAFT, Worm Cutoff	
8	1612093	2	SEAL, Oil	
9	1612149	2	FLANGE BUSHING	
10	2836098	1	PIN, Drive Lock	
11	1612127	1	THRUST COLLAR	
12	1612142	1	ROLLED WORM CASE	
13	2168111	1	THRUST WASHER	
14	2118315	2	THRUST WASHER	
15	1612141	1	GEAR, Worm	
16	1612137	1	GEAR CASE, R.H.	
17	1930642	7	NUT, Top Lock Flange, 1/4-20	
18	2118118	1	SEAL	
19	1732152	1	WIREFORM BRACKET	
20	2818312	1	KEY, Woodruff, .18 x .62	
21	1732991	2	BUSHING	
22	1612111	1	TUBE	
23	2830246	1	KEY, Woodruff, 1/4 x 3/4	

Footnotes

Auger Housing & Chute Group

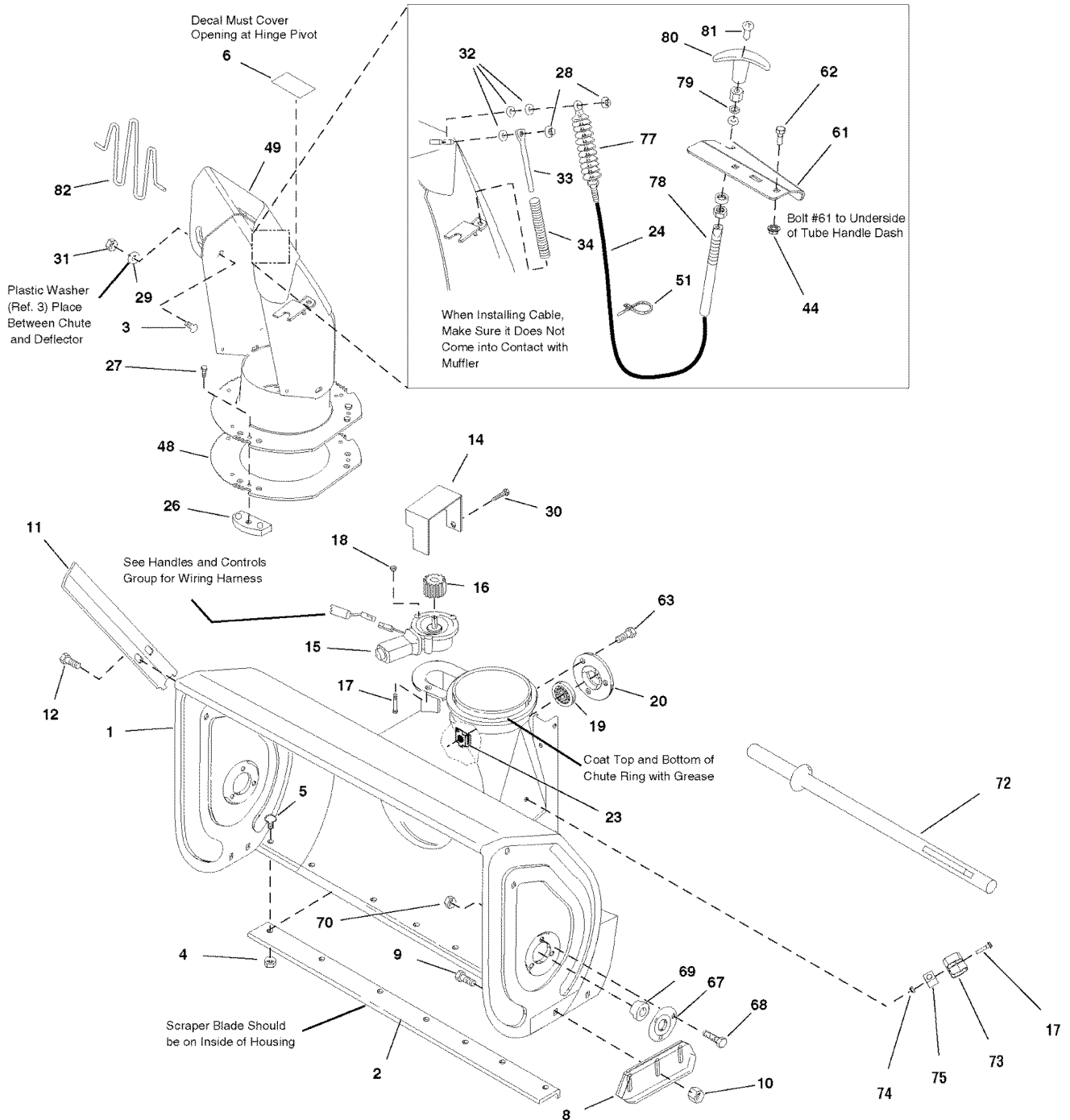


Auger Housing & Chute Group

Item	Part No	Qty	Description	Note
1	1732271D	1	HOUSING ASSEMBLY, 38"	
2	1723921A	1	BLADE, Scraper 38"	
3	1931333	1	CARRIAGE BOLT, 5/16-18 x 3/4, G5	
4	1935048	9	NUT, Hex Lock Flange, 5/16-18	
5	1960699	9	CARRIAGE BOLT, 5/16-18 x 5/8, G5	
6	1733599	2	DECAL, Red Strip	
8	1725747A	2	SKID SHOE	
9	1960702	4	CARRIAGE BOLT, 3/8-16 x 1, G5	
10	1960687	4	NUT, Hex Flange 3/8-16 ESNA	
11	1733102D	2	CUTTER, Drift	
12	1664847	2	SCREW, Hex Washer Head Taptite, 5/16-18 x 3/4	
14	1729645A	1	COVER, Gear 38"	
15	1728965	1	MOTOR, Spout Rotator 38"	
16	1728967	1	PINION, 1.417OD .296 Slot, 1-1/4 LG, 16T Powdered Metal	
17	2860604	5	SCREW, Hex Washer Head Slot 10C x 1-1/4, G2	
18	1960745	3	NUT, Hex Whiz Lock Flange, 10-24	
19	1729578	1	BEARING, 3/4 ID x 1.78 OD x .61 LG Greased	
20	1665982A	1	RETAINER, Bearing	
23	1930659	3	RETAINER, Nut, 5/16-18 .057/.092	
24	1720446	1	CABLE & KNOB ASSEMBLY	(Includes Ref. Nos. 77, 78, 79, 80, & 81)
26	1666613	3	HOLD DOWN, Chute Black Nylon	
27	1960001	3	SCREW, Hex Washer Head Plasteel, 10-14 x 5/8	
28	1960126	4	NUT, Push Pal, 1/4 DIA Stud Capped	
29	2860210	1	WASHER, Nylon, .388 x 1.12 x .03	
30	1927428	1	SCREW, Hex Washer Head Taptite, 1/4-20 x 3/8	
31	1960686	1	NUT, Hex Flange, 5/16-18 ESNA	
32	1702219	3	SPACER	
33	1611945	1	ROD, 5/16 DIA 5.88 LG	
34	1611939	1	SPRING, Compression	
44	1960685	2	NUT, Hex Keps, 1/4-20 Conical Washer	
48	1717477A	1	GEAR, Chute, 10 OD x 6.65 ID x .105 TH	
49	1731433D	1	CHUTE ASSEMBLY, 38"	
51	2825094	1	TIE, Self Locking, .184 WD 7.31 LG	
61	1726992A	1	SUPPORT, Cable Tube Handles	
62	1923341	2	CAPSCREW, Hex Head 1/4-20 x 3/4, G5	
63	1960738	3	SCREW, Hex Whiz Lock Flange, 5/16-18 x 3/4	
67	2172278A	4	FLANGE, Bearing	

Footnotes

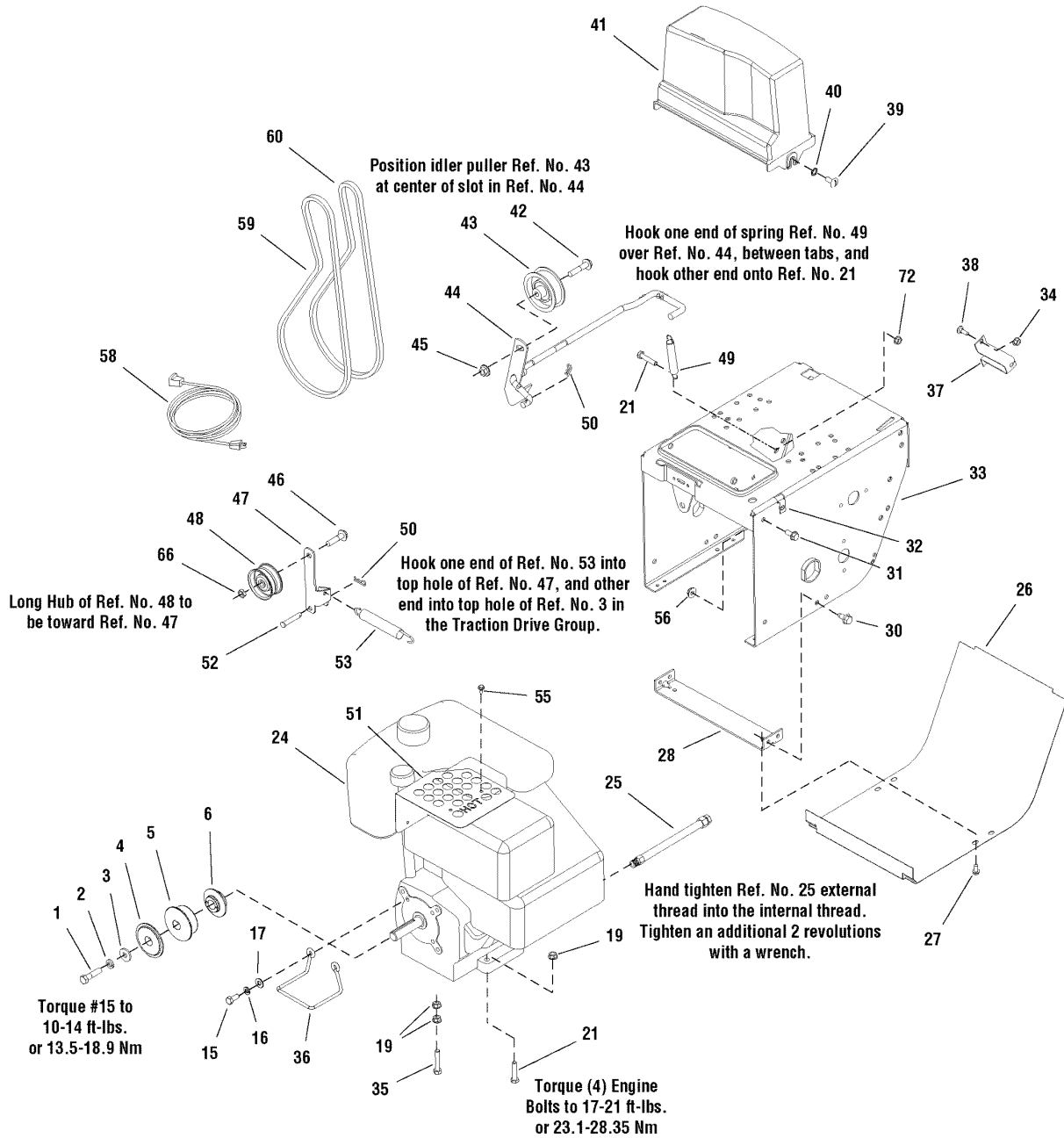
Auger Housing & Chute Group



Auger Housing & Chute Group

Item	Part No	Qty	Description	Note
68	1925205	6	CAPSCREW, Hex Head, 5/16-18 x 5/8, G5	
69	1733105	2	BEARING, Ball, 1.002 ID 2.049 OD 1.09 LG	
70	1931277	6	NUT, Hex Whiz Lock Flange, 5/16-18,	
72	1733209	1	STICK, Cleanout w/Brush, Snow	
73	722242	2	CLIP, Retainer	
74	1933896	2	NUT, Hex Lock, 10-24 with Nylon Insert	
75	724565	2	BLOCK, Universal Pivot	
77	1700048	1	BOOT, Bellows	
78	1719140	1	COLLET	
79	1719139	1	SEAL, Rod	
80	1719138	1	KNOB	
81	1960600	1	SCREW, 8-32	
82	1704446	1	GUARD & SUPPORT ASSEMBLY, Chute	

Footnotes

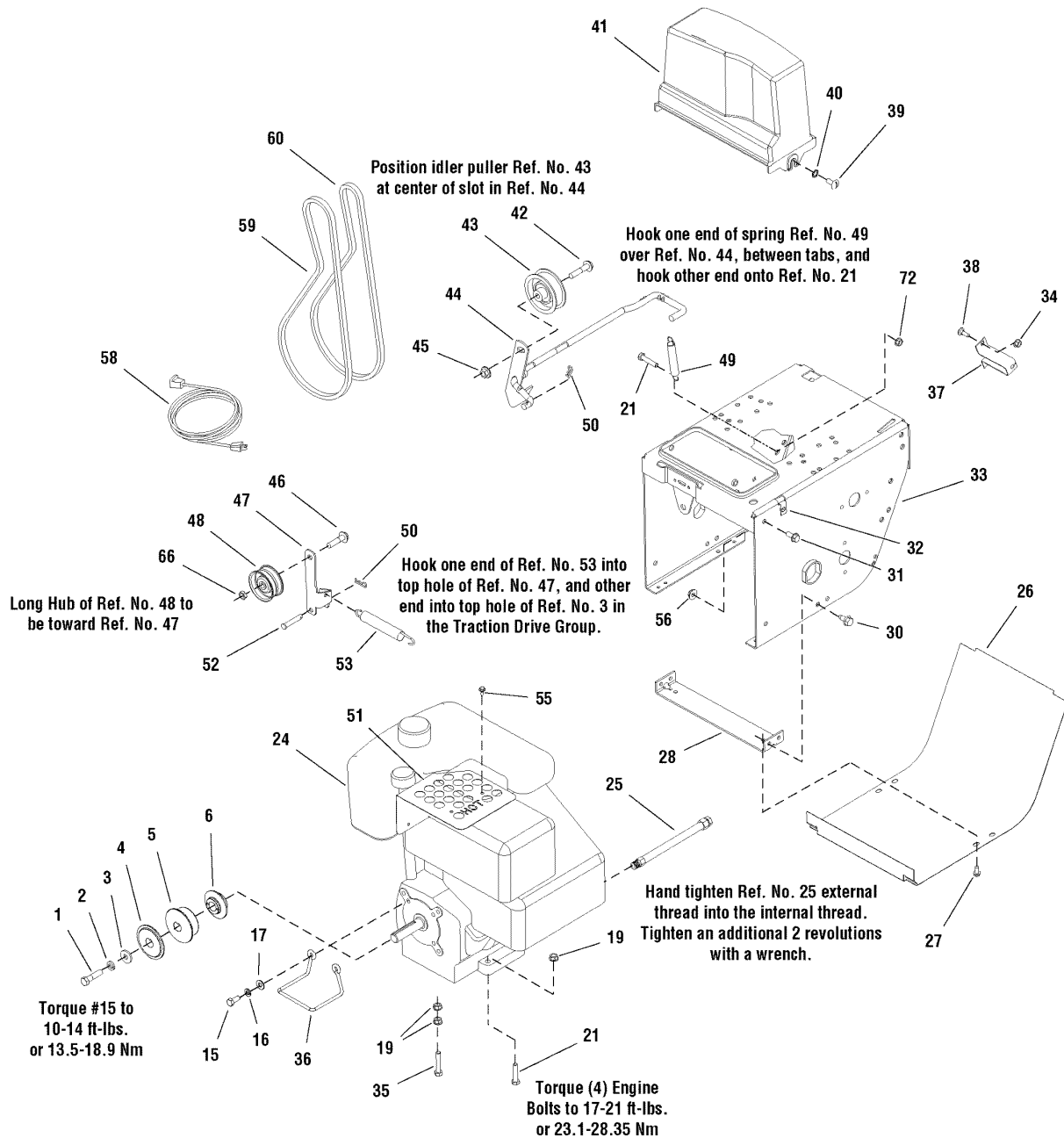


Engine & Frame Group

Item	Part No	Qty	Description	Note
1	1922128	1	CAPSCREW, Hex Head 3/8-24 x 1-1/2, G8	
2	1916965	1	LOCKWASHER, Spring 3/8	
3	1922755	1	WASHER, 3/8, .41 ID x 1 OD x .13 THK	
4	1726867	1	PULLEY, Engine Outside	
5	1726866	1	PULLEY, Engine Middle	
6	1726865	1	PULLEY, Engine Inside	
15	1921515	2	CAPSCREW, Hex Head 5/16-24 x 3/4, G5	
16	1917356	2	LOCKWASHER, Spring 5/16	
17	1919326	2	WASHER, 5/16, 0.34 ID x 3/4 OD x .06 THK	
19	1931277	5	NUT, Hex Whiz Lock Flange 5/16-18	
21	1921221	4	CAPSCREW, Hex Head, 5/16-18 x 1-1/2, G5	
24		1	* ENGINE, 13.0HP B&S ES INTEK Export Mod. 21A414-0135-E1	
25	1726942	1	HOSE, Oil Drain	
26	1726870D	1	COVER, Bottom Frame	
27	1925003	2	SCREW, Hex Washer Head Taptite, 1/4-20 x 1/2	
28	1727004A	1	SUPPORT, Tie Bar	
30	1664847	4	SCREW, Hex Washer Head Taptite, 5/16-18 x 3/4	
31	1930591	4	SCREW, Hex Whiz Lock Flange, 5/16-18 x 3/4	
32	1935255	2	NUT, Speed, 5/16-18 Lug Type, .25/.15	
33	1726568D	1	FRAME ASSEMBLY	
34	1960685	2	NUT, Hex Keps, 1/4-20 Conical Washer	
35	1922127	1	CAPSCREW, Hex Head, 5/16-18 x 1-3/4, G5	
36	1727785	1	STOP, Belt	
37	1720404A	1	SUPPORT, Clutch Cable L.F.	
38	1931317	2	CARRIAGE BOLT, 1/4-20 x 3/4, G5	
39	1918249	2	SCREW, Truss Head Slotted, 5/16-18 x 3/4	
40	2820426	2	LOCKWASHER, External Tooth 5/16	
41	1725287	1	COVER, Belt	
42	2860709	1	SCREW, Hex Whiz Lock Flange, 3/8-16 x 1-3/4	
43	1726348	1	PULLEY, Idler, 2-3/4	
44	1729646A	1	ROD & ARM ASSEMBLY, Clutch/Brake	
45	1928352	1	NUT, Hex Whiz Lock Flange, 3/8-16	
46	1960647	1	SCREW, Hex Head, 3/8-16 x 1-1/2 x .141	
47	1703046A	1	ARM, Idler, 5-3/4	
48	1668477	1	PULLEY, Idler	
49	2159106	1	SPRING, Extension	
50	1722460	2	PIN, Quick	

Footnotes

Note: * See your local Briggs & Stratton distributor for parts & service.

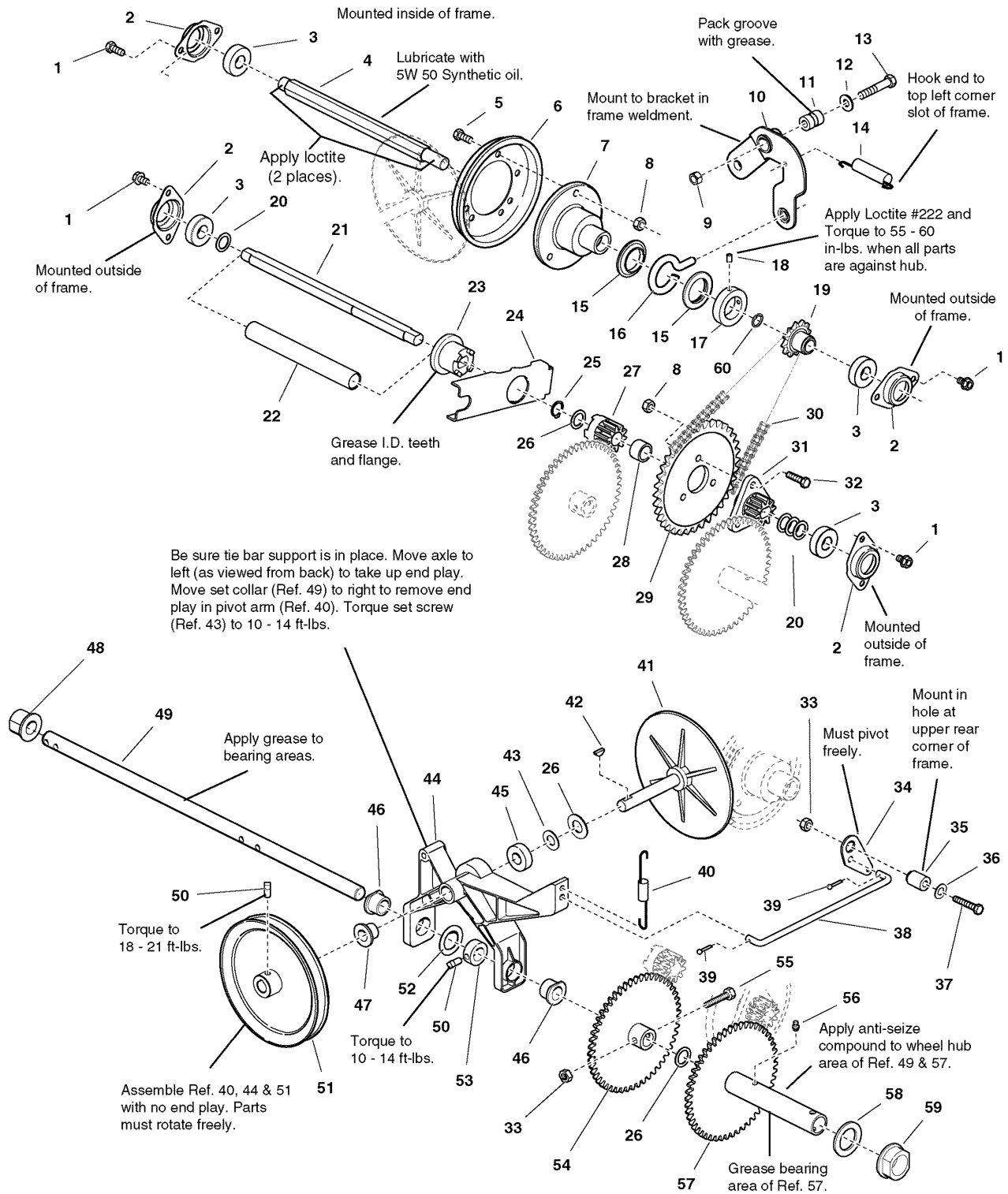


Engine & Frame Group

Item	Part No	Qty	Description	Note
51	1725664A	1	GUARD, Muffler	<i>(Used on Domestic Models)</i>
52	1665994	1	PIN, Flat Head Drilled	
53	1727149	1	SPRING, Extension L.F.	
55	1929477	1	SCREW, Hex Taptite, 10-24 x 1/2	<i>(Used on Domestic Models)</i>
56	1927557	4	NUT, Hex Whiz Lock Flange, 5/16-18	
58	1724064	1	CORD, Electric Extension	<i>(Used on Domestic Models)</i>
59	1672732	1	V-BELT, 3L 31.00 (Drive)	
60	1666655	1	V-BELT, HA 41.3 (Auger)	
66	1928731	1	NUT, Hex Toplock Jam, 3/8-16	
72	1960684	1	NUT, Hex Keps, 5/16-18 Conical Washer	

Footnotes

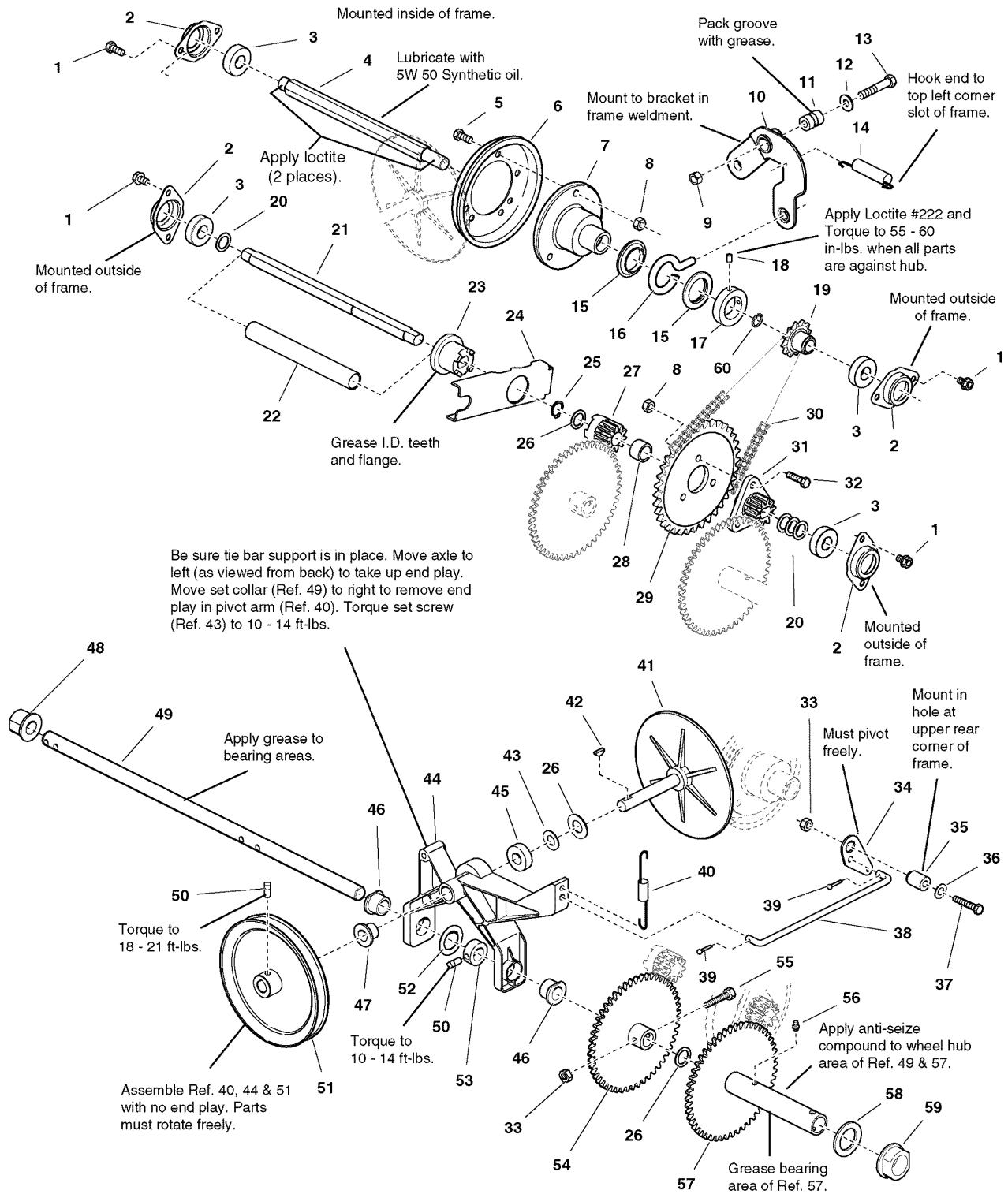
Note: * See your local Briggs & Stratton distributor for parts & service.



Traction Drive Group

Item	Part No	Qty	Description	Note
1	1930601	8	SCREW, Hex Washer Head Taptite, 5/16-18 x 5/8	
2	1667341	4	RETAINER, Bearing	
3	1705897	4	BEARING, Ball	
4	1726856	1	SHAFT, Hex	
5	1921332	3	CAPSCREW, Hex Head, 5/16-18 x 3/4, G5	
6	1725428	1	DISC, Friction with Insert	
7	1665995	1	HUB, Friction Disc	
8	1960684	6	NUT, Hex Keps, 5/16-18, Conical Washer	
9	1960687	1	NUT, Hex Flange, 3/8-16 ESNA	
10	1669256	1	ARM ASSEMBLY, Shift with Bushing	
11	1666114	1	BUSHING, 19/50 ID x 3/4 OD x 1-3/100 LG	
12	1924940	1	WASHER, 3/8	
13	1923701	1	CAPSCREW, Hex Head, 3/8-16 x 2, G5	
14	1668255	1	SPRING, Extension	
15	1678956	2	COLLAR, Thrust	
16	1666207	1	PIN, Loop	
17	1667335	1	COLLAR, Set	
18	1724333	2	SCREW, Set Square Head Cup Point, 1/4-20 x 1/2	
19	1726931	1	SPROCKET, 10 T	
20	2860164	4	WASHER, 5/8	
21	1718752	1	JACKSHAFT, Double D	
22	1720298	1	SPRING, Complete	
23	1718689	1	CLUTCH, Sliding, 1/5 LG, Powdered Metal	
24	1720078A	1	ARM, Clutch	
25	2827732	1	RING, Retaining Extension	
26	1960114	3	WASHER, 3/4	
27	1718688	1	GEAR, Stationary Clutch	
28	1679556	1	SPACER, Heat Treated, 31/100 LG	
29	1667330	1	SPROCKET	
30	1666980	1	CHAIN, Roller	
31	1718687	1	GEAR, Double D	
32	1921333	3	CAPSCREW, Hex Head, 5/16-18 x 1, G5	
33	1960686	2	NUT, Hex Flange, 5/16-18 ESNA	
34	1700473	1	BELLCRANK	
35	1666106	1	BUSHING, 11/32 ID x 3/4 OD x 1-3/50 LG	
36	1919326	1	WASHER, 11/32 x 3/4 x 1/16	
37	1922127	1	CAPSCREW, Hex Head, 5/16-18 x 1-3/4, G5	

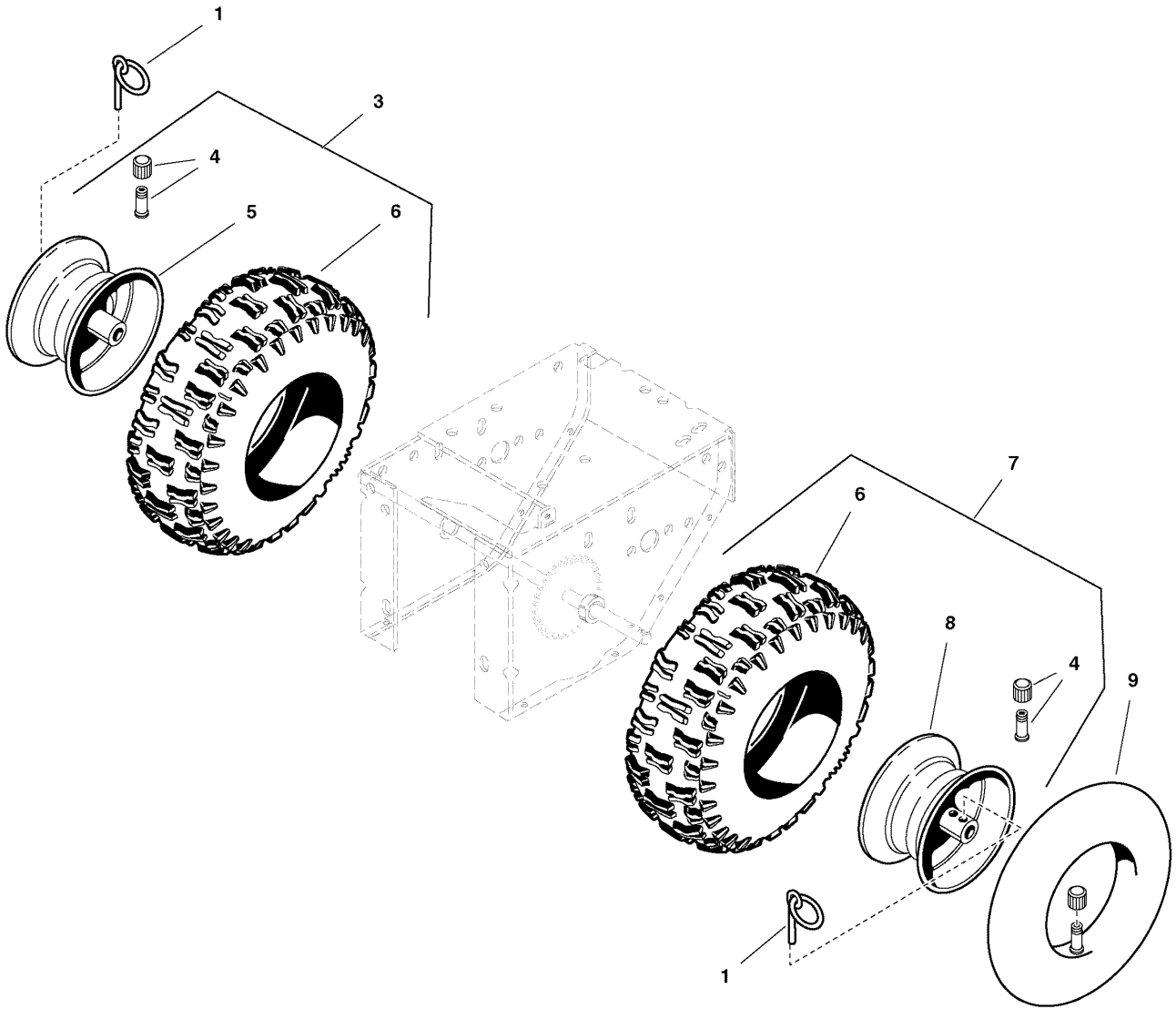
Footnotes



Traction Drive Group

Item	Part No	Qty	Description	Note
38	1726467	1	ROD, Pivot, 9-15/100 LG	
39	1722460	1	PIN, Quick	
40	1725666	1	SPRING, Extension	
41	1719879	1	DRIVE DISC with SPINDLE	
42	2818312	1	KEY, Woodruff, 47/250 x 5/8	
43	1924366	1	WASHER, 5/8	
44	1670849	1	ARM, Pivot with Bushings & Bearings	(Includes Ref. Nos 45, 46, 47 & 48)
45	1665521	1	BEARING, Ball	
46	1666425	2	BUSHING, 3/4 ID x 1 OD x 3/4 LG, Powdered Metal	
47	1666855	1	BUSHING, 5/8 ID x 13/16 OD x 3/4 LG, Powdered Metal	
48	1666001	1	BUSHING, 377/100 ID x 1-13/100 OD x 1 LG, Powdered Metal	
49	1720299	1	AXLE, Round	
50	1928721	2	SCREW, Set Square Head Cup Point, 5/16-18 x 1/2 G8	
51	1672595A	1	PULLEY & HUB ASSEMBLY	
52	1919394	1	WASHER	
53	1729254	1	COLLAR, Set	
54	1720300	1	GEAR & HUB ASSEMBLY, R.H.	
55	1930570	1	CAPSCREW, Hex Head, 5/16-18 x 1-1/2, G8	
56	2812808	1	FITTING, Lube, 1/4-28, Tapped with Check Ball	
57	1730228	1	GEAR & HUB ASSEMBLY, with Bushings	
58	2860169	1	WASHER, 1-47/250	
59	1720305	1	BUSHING, 1-27/200 ID x 1-157/250 OD x 3/4 LG	
60	2172206	1	RING, Retaining External, #87	

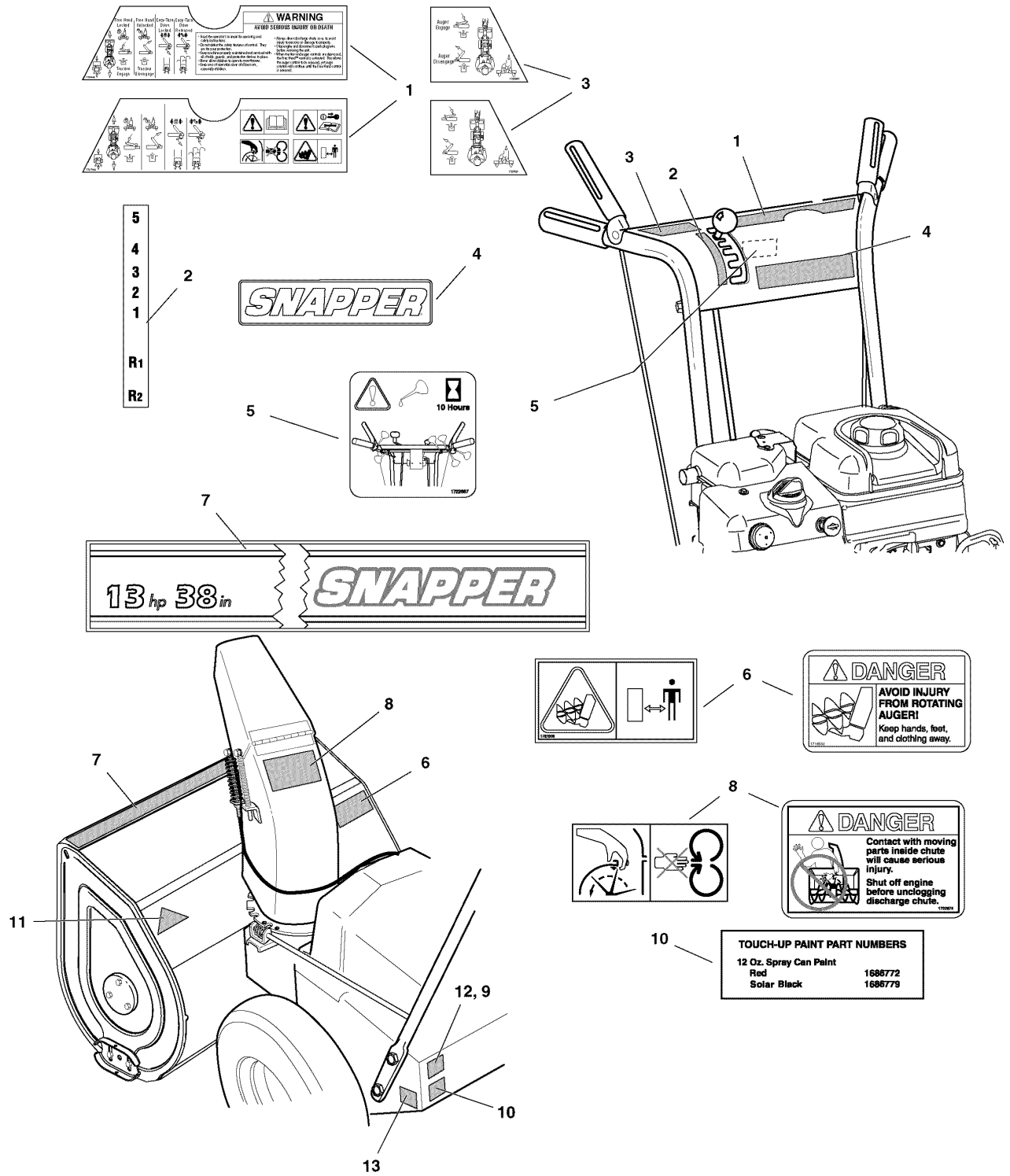
Footnotes



Wheels & Tires Group

Item	Part No	Qty	Description	Note
1	1731186	2	PIN, Klik Ring	
3	1726745	1	WHEEL & TIRE ASSEMBLY, Snow R.H.	
4	2172353	2	VALVE STEM & CAP ASSEMBLY, Air	
5	1722762	1	HUB, Wheel, 5-3/8 Wide 8 Diameter 3/4 ID	
6	1727075	2	TIRE, 16 x 6.5-8 X-TRAC TL	
7	1726744	1	WHEEL & TIRE ASSEMBLY, Snow L.H.	
8	1722761	1	HUB, Wheel, 5-3/8 Wide 8 Diameter 1-1/8 ID	
9	2153038	2	TUBE, Tire	

Footnotes



Decal Group

Item	Part No	Qty	Description	Note
1	1726945	1	DECAL, Instructions with EZ Turn, L.H.	
1	1727022	1	DECAL, Tube Handle, L.H.	
2	1715557	1	DECAL, 5 4 3 2 1 R1 R2 Shift Pattern	
3	1726946	1	DECAL, Instructions, Auger Control	
3	1727023	1	DECAL, Tube Handle R.H.	
4	1733271	1	DECAL, Turtle Head/Logo Badge	
5	1722867	1	DECAL, Lubrication	
6	1727208	1	DECAL, Danger Avoid Injury from Auger	
6	1716532	1	DECAL, Danger Avoid Injury from Auger	
7	1733075	1	DECAL, Stripe Snapper Professional 38"	
8	1722674	1	DECAL, Danger Auger, Use Snow Stick	
8	7071880	1	DECAL, Danger Auger, Use Snow Stick	
9	1731389	1	MYLAR OVERLAY	<i>(Not a service part)</i>
10	1720454	1	DECAL, Touch Up Paint	
11	1733156	1	DECAL, OPEI Certified	
12	1731420	1	STICKER, Serial w/Bar Code	<i>(Not a service part)</i>
13	1713056	1	DECAL, Patent Snowthrower	<i>(Not a service part)</i>

Footnotes

Parts Manual for

SNAPPER®

TWO STAGE LARGE FRAME SNOW THROWER PRO SERIES 8

IT IS THE POLICY OF BRIGGS & STRATTON CORP TO IMPROVE ITS PRODUCTS WHENEVER IT IS POSSIBLE AND PRACTICAL TO DO SO. WE RESERVE THE RIGHT TO MAKE CHANGES OR ADD IMPROVEMENTS AT ANY TIME WITHOUT INCURRING ANY OBLIGATION TO MAKE SUCH CHANGES ON PRODUCTS

SNAPPER® McDonough, GA, 30253 U.S.A.